

# Wheel Loader

Assembly Instructions



View of completed model

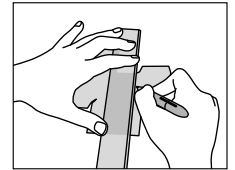
\* This model was designed for Papercraft and may differ from the original in some respects.

## Tools

- Scissors
- Ruler, set square
- Glue (Wood glue or craft glue recommend)
- Exhausted ballpoint pen (out of ink)
- Toothpicks (for use in applying glue)
- Tweezers (useful for handling small parts)
- Pencil

## Assembly tip

- Write the number of each part on the reverse side of the part in pencil upon cutting it out, to be sure you can tell which part is which later.
- Before gluing, crease the paper along mountain and valley fold lines. Trace along the folds with a ruler and an exhausted ballpoint pen (out of ink) to get a sharper fold.
- Make sure rounded sections are nice and stiff.



## Key to symbols

### Pattern

<p>Dotted line</p>	<p><b>Mountain fold</b> Fold so that the printed pattern faces outside.</p>
<p>Dashed and dotted line</p>	<p><b>Valley fold</b> Fold so that the printed pattern faces inside.</p>
<p>Solid line</p>	<p>Cut parts out along this line.</p>
<p>Solid red line</p>	<p>Cut a notch along this line.</p>
<p>Diagonal grey lines</p>	<p>Cut these areas out.</p>

<p>Red arrow</p>	<p>The dots show where to glue the pieces together. Glue the pieces together as shown in the following examples. Some parts must be glued together along the cut surfaces.</p>
<p>Blue arrow</p>	<p><b>Red dot</b> Glue parts with the same number together. (Numbers are not printed on very small parts.)</p>
<p>Light blue</p>	<p><b>Green dot</b> Glue areas within the same part together.</p>
<p>Light grey</p>	<p><b>Blue dot</b> Glue to the reverse side of the specified part.</p>

### Assembly instructions

<p>Red arrow</p>	<p><b>Glue</b></p>
<p>Blue arrow</p>	<p><b>Insert</b> (without gluing)</p>
<p>Light blue</p>	<p><b>Glue tab</b></p>
<p>Light grey</p>	<p><b>Reverse side of paper</b></p>
<p>↔</p>	<p><b>Movable part</b> This denotes a part that must be able to move after the model is completed. Be sure to crease these parts sufficiently.</p>

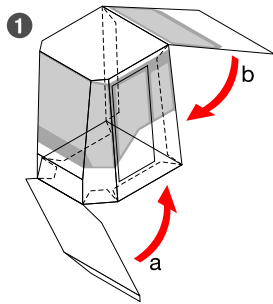


Glue, scissors and other tools may be dangerous to young children so be sure to keep them out of the reach of young children.

■ Assembly Instructions: Seven A4 sheets (No. 1 to No. 7)  
Build this model with careful reference to the Assembly Instructions.

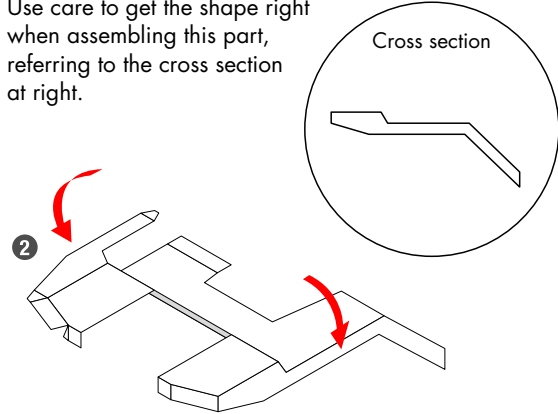
**A**

Assemble the cab.  
Glue flaps a and b in order.

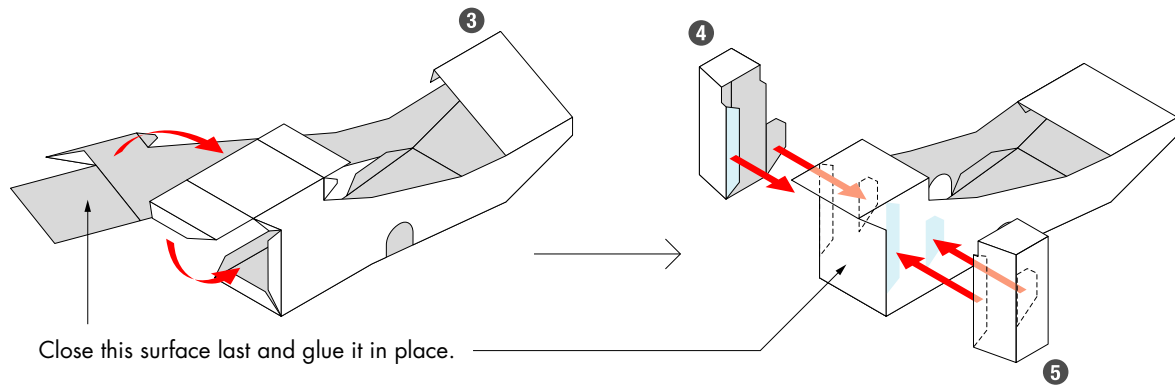


**B**

Use care to get the shape right  
when assembling this part,  
referring to the cross section  
at right.



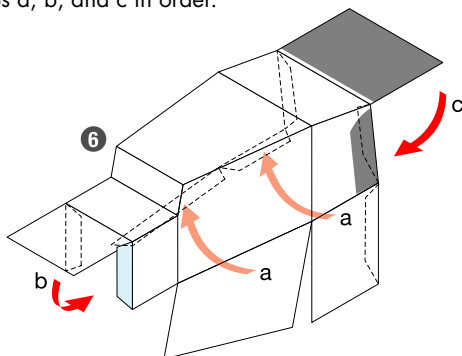
**C**



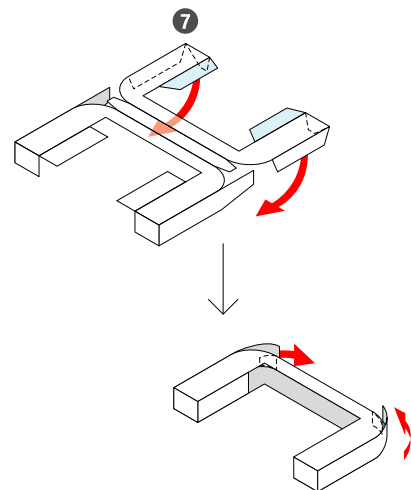
Close this surface last and glue it in place.

**D**

Glue flaps a, b, and c in order.



**E**



**F**

Glue flaps a, b, c, d, and e in order.

Leave an opening here.

**G**

Shape this part before gluing it.

This is a moving part.  
Do not glue it.

**H**

Glue flaps a, b, and c in order.

Glue to part G.  
Use care to attach this part in the right direction, referring to the illustration.

**I**

Fold the left and right flaps back and glue each in place.

Cross section

Moving part      Moving part

Use care with the angles at which you glue parts 12 and 13 in place, to ensure the two parts are parallel.

**J**

Fold down the sides, then bend the center down along the curved edges and glue it in place.

Cross section

Moving part

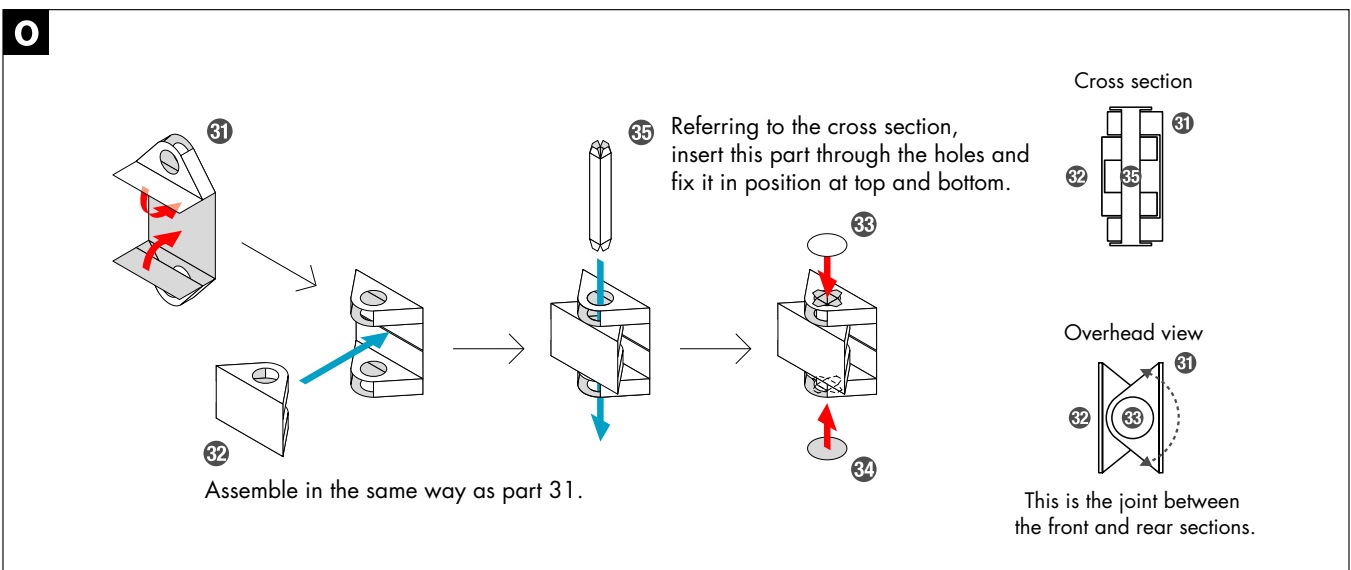
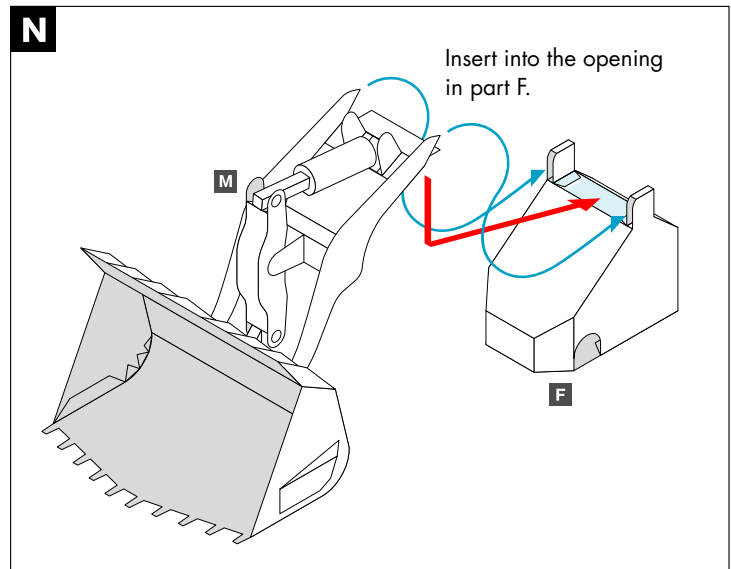
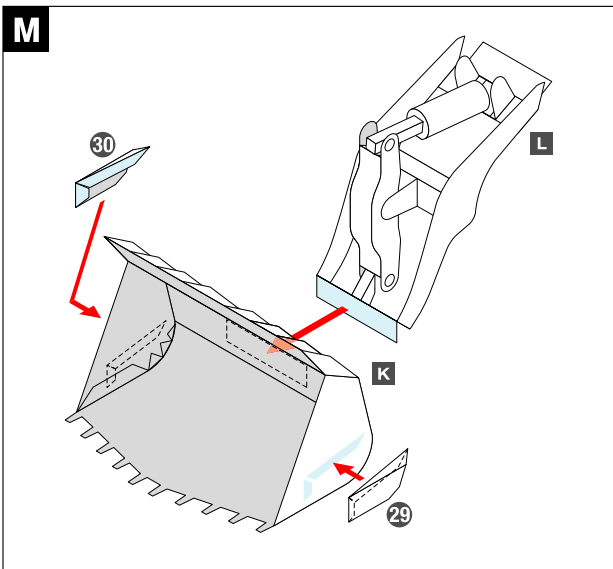
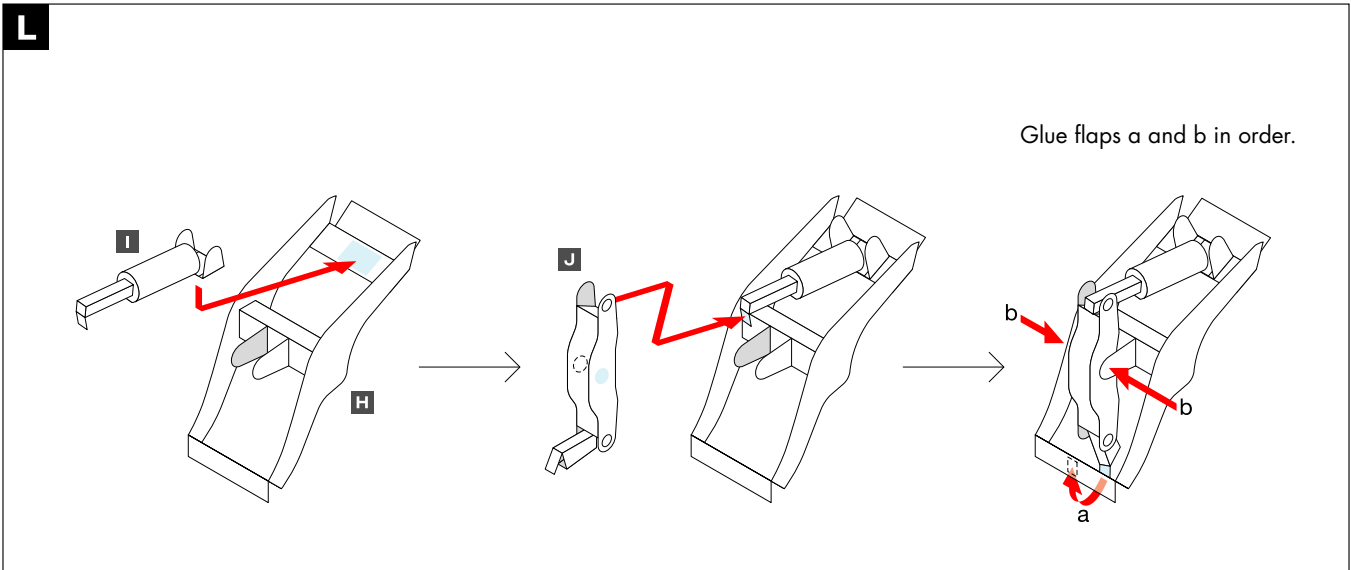
**K**

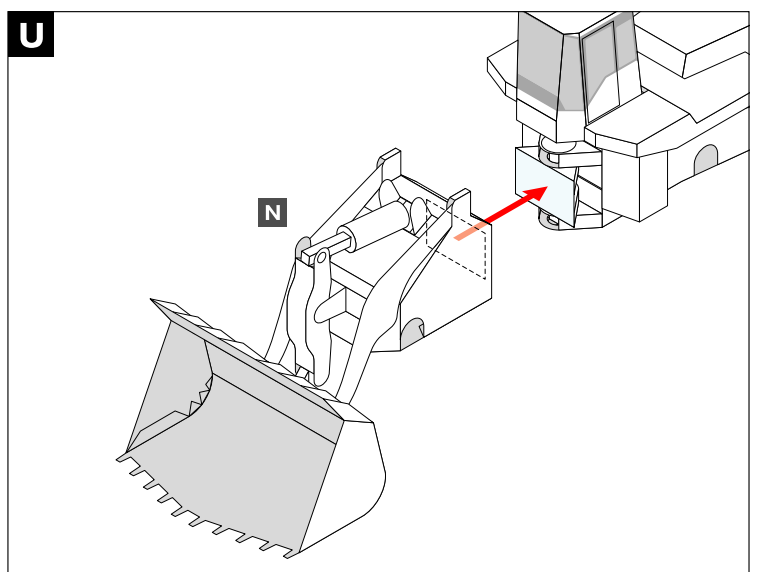
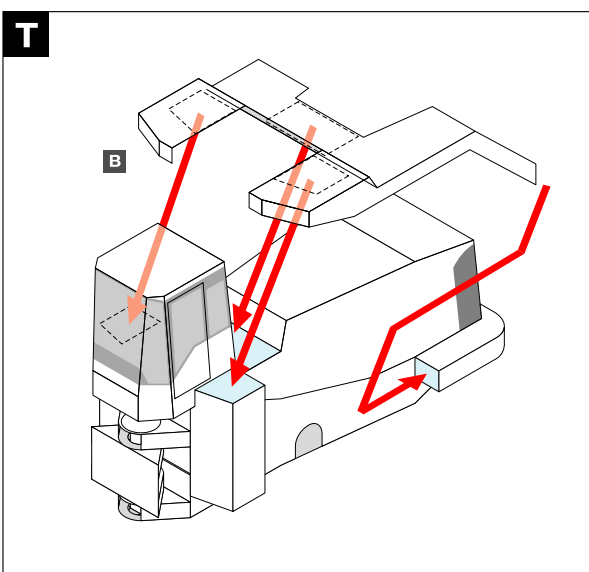
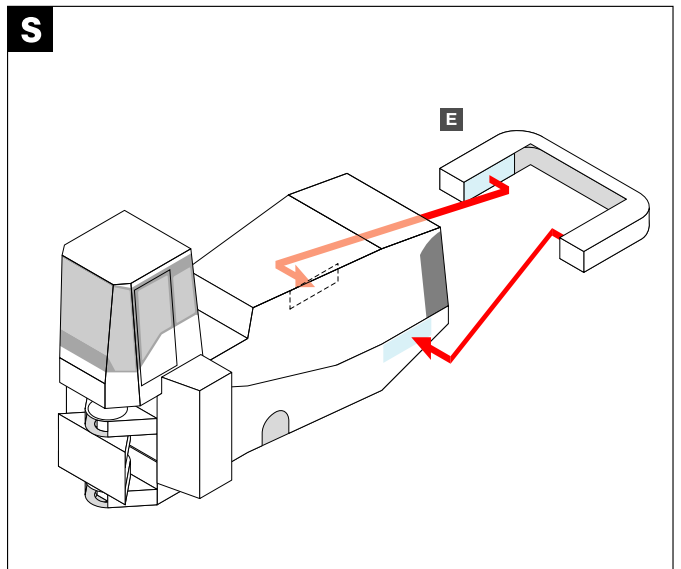
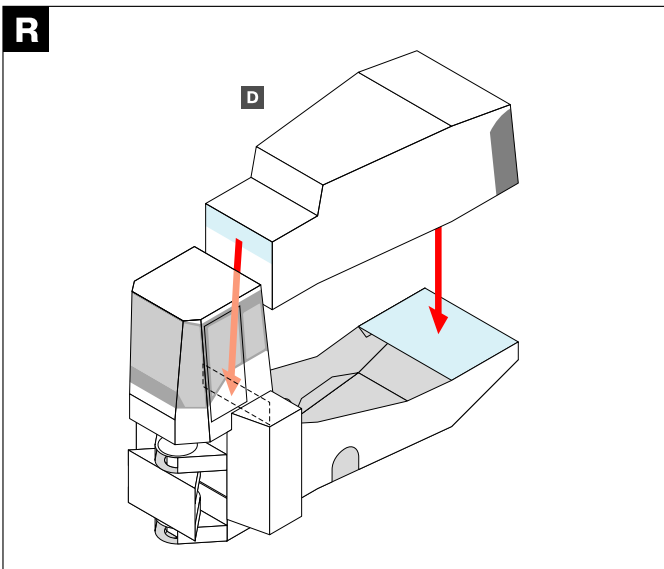
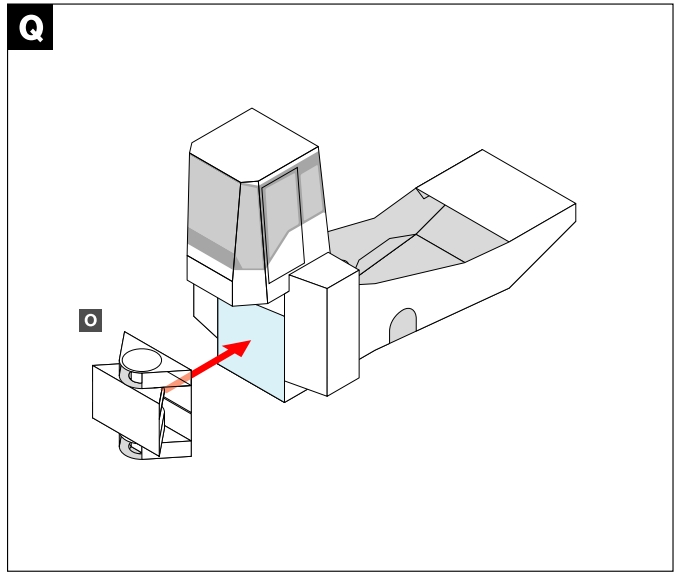
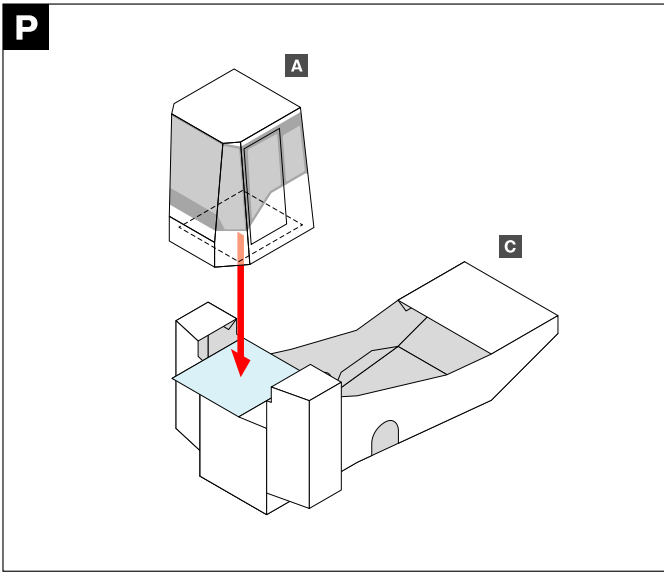
Glue the back sides of the paper parts together, in numbered order. Fold in the ends of parts 22 and 28 and then glue them in place.

Apply a small amount of glue to the cut surface of the paper as well, and glue this part in place along with the shape of the bucket. (The bucket does not have any glue tabs.)

Reverse side

Glue parts 17 and 18 to the reverse side of the bucket.





**V**

Assemble the left wheels.  
(The left and right tires have different tread directions.)

Cross section

**W**

Assemble the right wheels in the same way.

Cross section

**X**

Insert the axles into the body of the wheel loader and glue the wheels in place, checking the direction of the tread on the tires and taking care to attach the left and right tires on their proper sides. The wheels should spin freely.

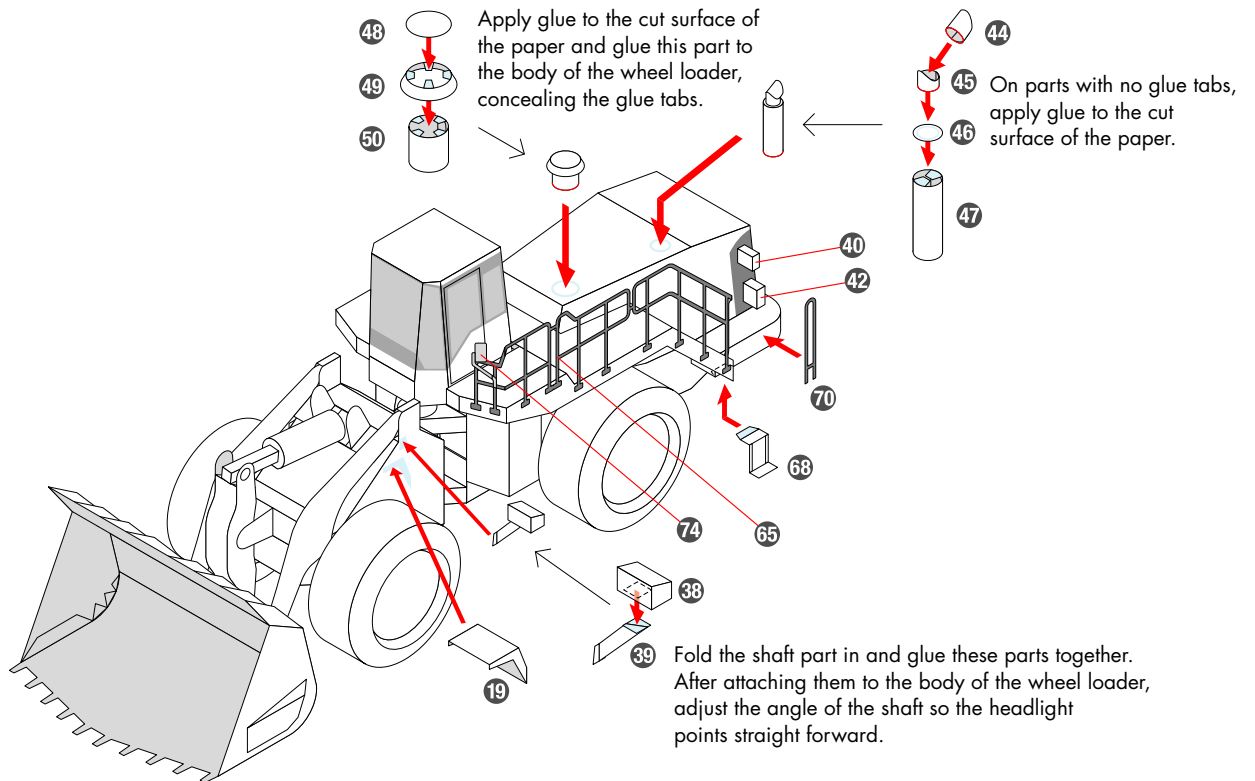
**W** Right rear wheel

**W** Right front wheel

**V** Left rear wheel

**V** Left front wheel

**Y**



**Z**

